



LUNASEW



IE-5201LGO

IE-6201LGO

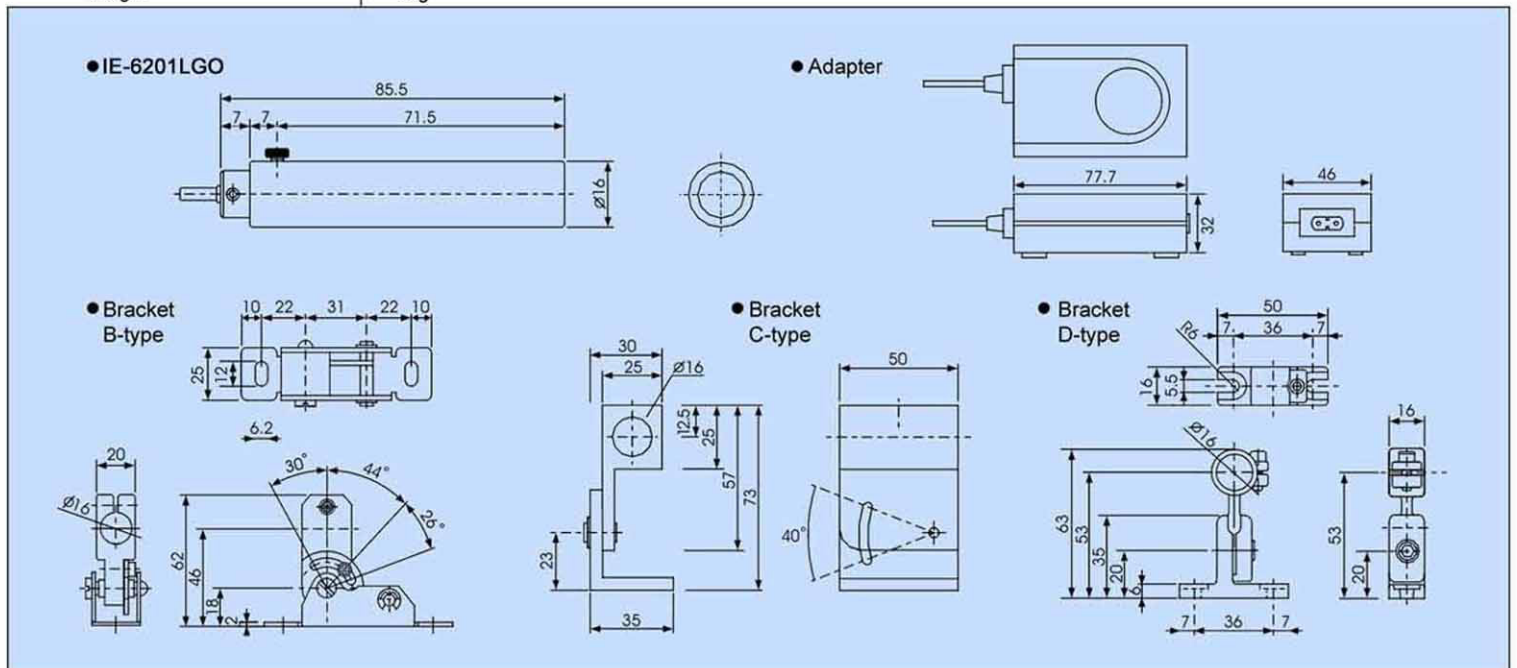


LED MODULE

LED MARKER

SPECIFICATION

MODEL	RED			GREEN		
	IE-6201LGO	IE-6201LGP	IE-6201LGQ	IE-5201LGO	IE-5201LGP	IE-5201LGQ
Beam Pattern						
Wavelength (λd)	625 ± 5nm			525 ± 5nm		
Projection Distance	110mm ~ 500mm					
Source of Light	LED					
Operating Current	30mA					
Lifetime	30,000 hours (@RT)					
Operating Voltage	DC - 5V ± 5%					
Operating Temperature	-30°C ~ +80°C					
Focusing Mode	Adjustable Mode					
Weight	40g					



Remarks

Line Width can change depending on the environment.
 For AC power, use the adapter for AC power only available at LUNA.
 For LA-05U USA/JAPAN plug and LA-05E Europe plug.
 Input Voltage: AC 100V ~ 250V, 47 ~ 63Hz
 Output Voltage: DC 5V, 2.0A
 Brackets for fixture are available. LB-16B, LB-16C, LB-16D

WARNING

1. Please use the voltage within the designated range. Avoid turning ON and OFF the Product during a short.
2. Period of time since it can cause damage to the Product. This Product is not water-resistant. Be careful not to expose the Product to moisture.
3. LEDs are very sensitive to the change in the temperature. Usage under low temperature is recommended for longer use.
4. Noise filter must be used when the motor solenoid is directly linked to the power.
5. Authorization of noise or voltage surge can destroy the laser diode and lead to the lighting failure. This Product is a very precise optical instrument. Be careful not to drop it. Severe shock to the Product can cause malfunction.
6. Do not disassemble, repair or rebuild the Product at your own discretion. After sales services are not available in the case of arbitrary disassembly, repair or rebuilding.

For improvement of the Product the design and specifications are subject to change without prior notice.



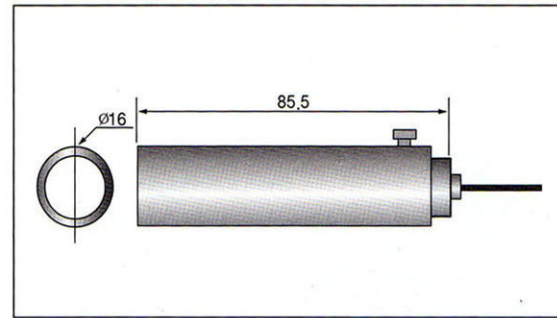
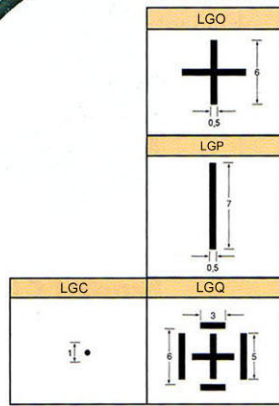
總公司：
 立欣針車實業有限公司
 LUNA INDUSTRIAL CO., LTD.
 台灣22061 新北市板橋區四川路2段16巷9號5樓
 F5., No.9, Ln.16, Sec. 2, Sichuan Rd., Banqiao Dist.,
 New Taipei City 22061, Taiwan
 (LEADER INDUSTRIAL AREA)
 TEL : 886-2-8966-5577 FAX : 886-2-8966-5443
 E-Mail : info@lunasew.com
 luna0510@ms13.hinet.net
 HTTP://www.lunasew.com

服務處：
 立欣(寧波)針車有限公司
 LUNA (NINGBO) SEWING MACHINE CO., LTD.
 中國浙江省寧波市鄞州區姜山鎮星火科技園區環鎮北路13號
 No. 13 HuanZhen (N)Road, JiangShan Town
 XingHuo Scientific & Technical Area
 Yin Zhou District Ningbo City, China
 TEL : 86-574-8845-3458 8845-3468
 FAX : 86-574-8845-3478
 E-Mail : lunaningbo@lunasew.com

LED Series



Beam Pattern

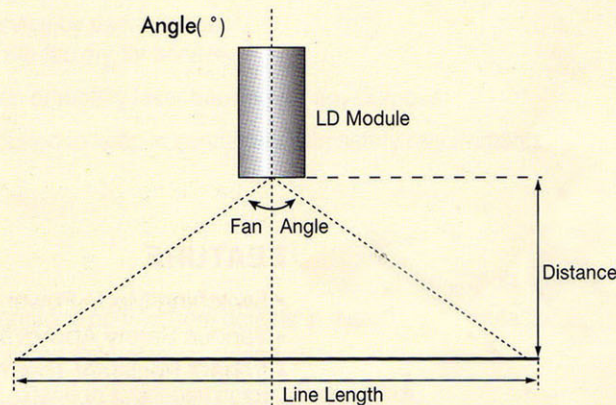


FEATURE

- Compact Structure
- Green, Red, White LED Lamp
- Focusing Available
- Working Distance 112 ~ 500mm
- Black Anodized Aluminum Housing

SPECIFICATION			
Model	5201LGO/LGP/LGQ/LGC	6201LGO/LGP/LGQ/LGC	LWGO/LGP/LGQ/LGC
Color	Green	Red	White
Projection Distance(mm)	112 ~ 500		
Source of Light	LED Lamp		
Operating Voltage(Vdc)	5		
Operating Current(mA)	30		
Operating Temperature(°C)	-30 ~ +60		
Focusing Mode	Adjustable		
Life time	30,000 hr		

Working Distance vs Line Length (Applied to Line and Cross Laser)



Angle(°)	Distance							
	Symbol	0.1m	0.3m	0.5m	1m	1.5m	2m	3m
5		0.01	0.03	0.04	0.09	0.13	0.17	0.26
15	1D	0.03	0.08	0.13	0.26	0.39	0.53	0.79
30	3D	0.05	0.16	0.27	0.54	0.8	1.1	1.6
45	4D	0.08	0.25	0.41	0.83	1.24	1.7	2.5
60	6D	0.12	0.35	0.58	1.1	1.7	2.3	3.5
90	9D	0.2	0.6	1	2	3	4	6
120	12D	0.35	1	1.73	3.45	5.2	6.9	10.4